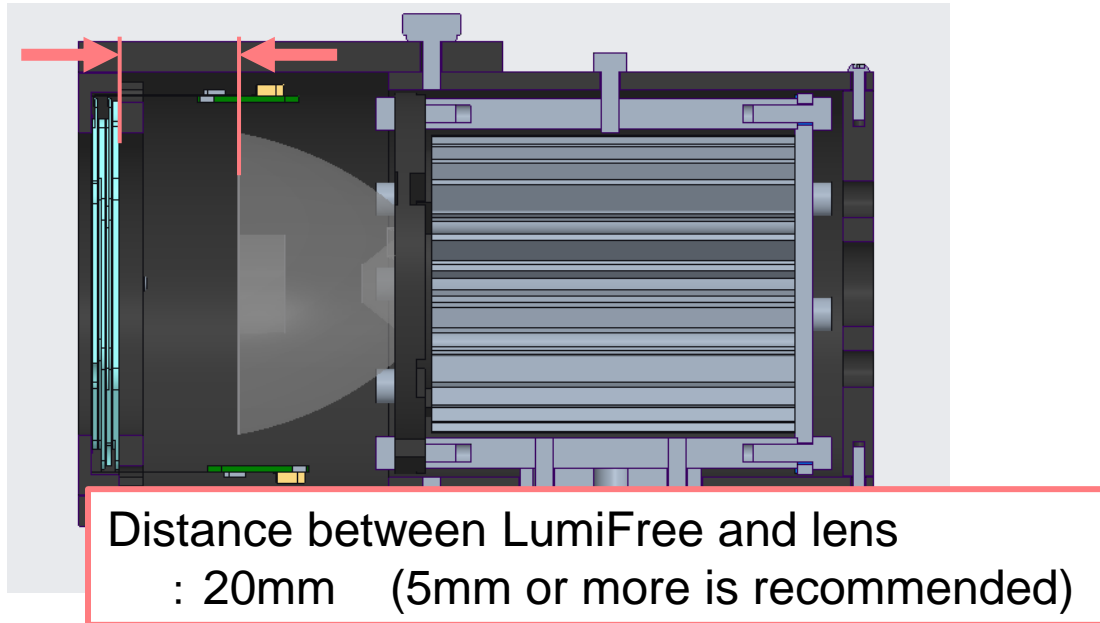
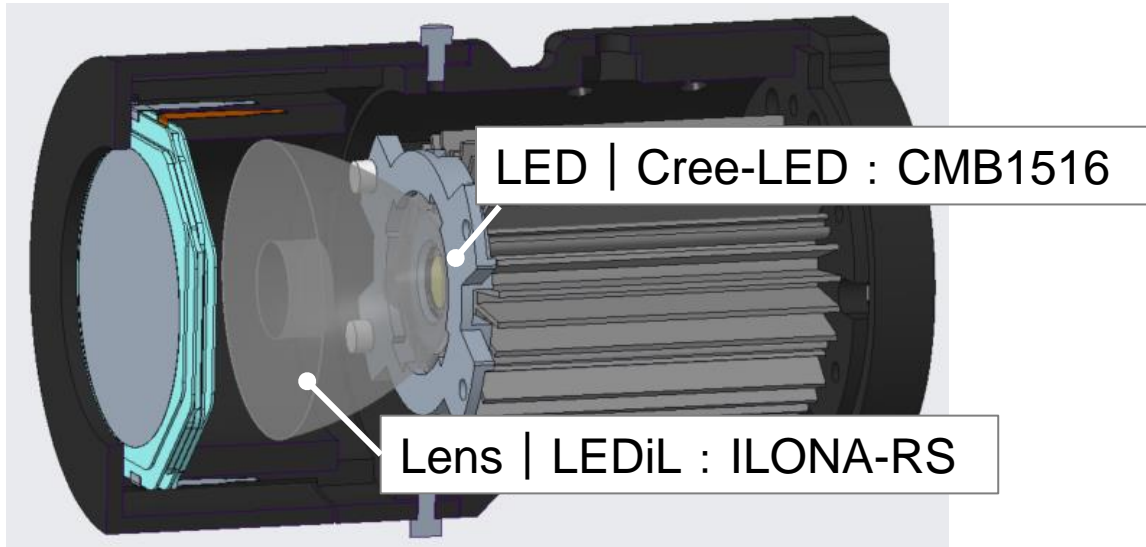


# Example design with LumiFree (standard type)



## Parts List

LED	CMB1516 (Cree-LED)
Lens	HEKLA + ILONA-RS AMY-50-S (LEDiL)
LumiFree	LAM020M889

## Characteristic

Luminous flux	1200lm (36.5V/450mA)
½ Beam angle	17~72°

(Reference value)