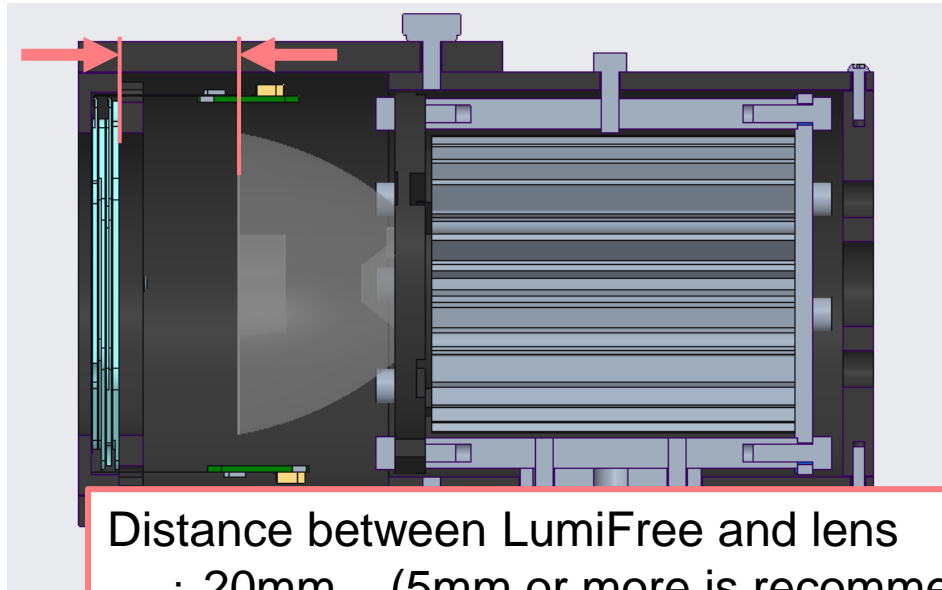
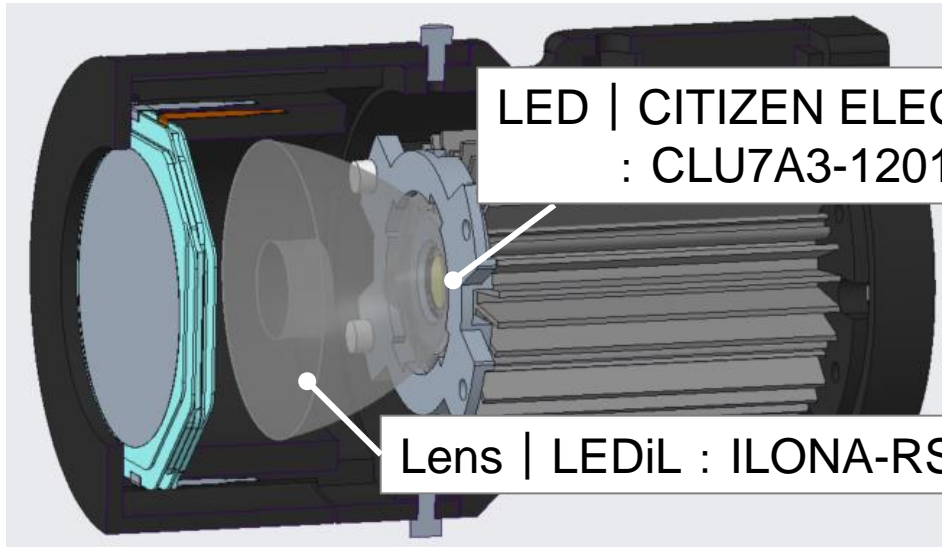


Example design with LumiFree (Narrow angle type)



Parts List

LED	CLU7A3-1201E1 WEB LINK (CITIZEN ELECTRONICS CO.,LTD.)
Lens	HEKLA WEB LINK + ILONA-RS WEB LINK AMY-50-S WEB LINK (LEDiL)
LumiFree	LAM020M889

Characteristic

Luminous flux	380lm (36.5V/175mA)
½ Beam angle	9~72°

(Reference value)