

Green Procurement Guideline

(Ver. 12.2)

Japan Display Inc.

April 1, 2026

Table of Contents

I. Environmental policy	3
II. Approach to Green Procurement Adopted by the Japan Display Inc. Group	4
1. Objectives	4
2. Initiatives Undertaken by the JDI Group	4
3. Scope of this guideline.....	6
4. Evaluation Criteria	6
5. Other requirements	11
6. Description of the required documents	12
7. Procedures from the request to the submission.....	19
8. Document retention period.....	21
III. Handling of These Guidelines	21
IV. Handling of the Submitted Reports.....	21
V. Requests to Suppliers	21
VI. Others	22

I. Environmental policy

Recognizing that global environment conservation is one of the most important challenges for humanity, we at Japan Display Inc. group respect people and environment, and aim to contribute to a sustainable society.

Basic policy

We will continually improve our environmental management system to work to reduce environmental burden, considering lifecycle of our display products.

We will comply with domestic and foreign legal requirements and other voluntarily accepted requirements.

We will set environmental objectives or others on the following priority themes and promote activities for their achievement to work for environmental conservation.

Priority themes

1) We will reduce environmental burden of business activities.

We will:

- 1-1) Promote measures against global warming, energy conservation and effective use of water;
- 1-2) Thoroughly manage chemical substances and promote their reduction and substitution;
- 1-3) Promote 3R (Reduce, Reuse, Recycle) activities of wastes.

2) We will reduce environmental burden of products.

We will:

- 2-1) Promote the development of environmentally considered products;
- 2-2) Thoroughly manage chemical substances contained in products;
- 2-3) Promote green procurement.

3) We will work on activities for conservation of biodiversity and environmental activities at local communities.

II. Approach to Green Procurement Adopted by the Japan Display Inc. Group

1. Objectives

As part of its endeavors to create environmentally-friendly products, based on the approach of "cherishing people and the environment and developing in partnership with the society, through the manufacture of small and medium-sized display devices and the provision of related services, based on an awareness that the conservation of the global environment is one of the most important challenges facing humanity as a whole", the Japan Display Inc. Group (hereinafter called JDI Group) promotes the procurement of products, components, materials and raw materials with a low environmental burden (hereinafter called "green procurement"). In promoting green procurement, the company has the following objectives.

- To procure from suppliers promoting environmental conservation activities;
- To procure products, components, materials and raw materials with a low environmental burden, in accordance with the guidelines prescribed by the JDI Group; and
- To develop a shared understanding of initiatives aimed at conserving biodiversity and construct cooperative relationships with our suppliers.

*Japan Display Inc. Group is the collective term for Japan Display Inc. and its subsidiaries, including those overseas.

2. Initiatives Undertaken by the JDI Group

2-1. Procurement from suppliers that are promoting environmental conservation activities

Although environmental conservation activities are, as a general rule, based on the voluntary activities of suppliers, the JDI Group can assist with efforts to improve such activities, if necessary.

In implementing green procurement, the JDI Group promotes procurement from suppliers that are conducting activities that demonstrate consideration for the establishment of management system of chemical substances contained in products as well as for the environment, including attaining ISO 9001 and ISO 14001 certification.

More specifically, the JDI Group conducts appraisals for the acquisition of ISO 9001 and ISO 14001 certification, as well as the suppliers' environmental conservation activities and the establishment of management systems of chemical substances contained in products.

2-2. Procurement of products, components, materials and raw materials with a low environmental burden

The JDI Group classifies procurement items into three categories based on their characteristics, as shown in the diagram below (materials and other product-related procurement items, procurement items associated with production activities, and stationery and other office supplies).

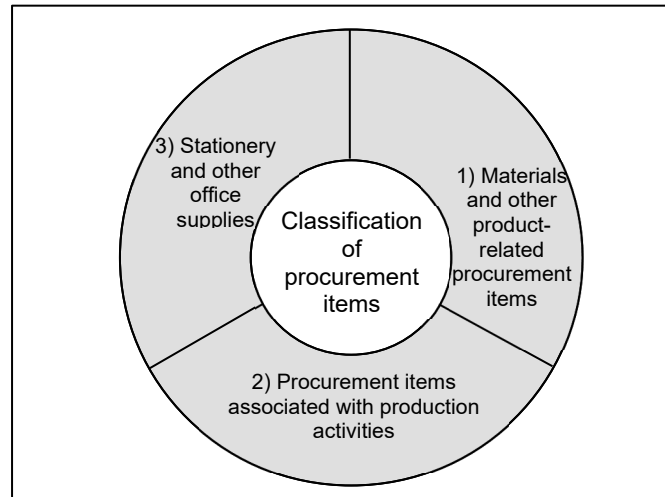


Figure 1: The Classification of Green Procurement Items by the JDI Group

1) Initiatives focused on materials and other product-related procurements

The term "Materials and other product-related procurements" refers to all the procurements that go into any product sold by JDI Group, including end products, system components, units, parts, materials and packaging materials for delivery.

In an effort to select procurements with a lower environmental burden, the JDI Group defines specific requirements for decreasing the environmental burden of procurements, and performs surveys on candidate products in order to identify procurements with a low environmental burden. Details on these surveys are described in Section 4-2 "Adoption criteria for materials and other product-related procurements" below.

2) Initiatives focused on procurement items associated with production activities

"Procurement items associated with production activities" comprises machinery, tools and jigs as well as indirect materials such as coatings, cleaners or other chemicals. Procurements with a low environmental burden are equally sought in this category. Suppliers may be requested, as necessary, to provide information on the chemical substances contained in these indirect materials such as SDS (MSDS) and an analysis report. Especially in our manufacturing process, if there is a risk that these indirect materials directly contact with our products and transferred their chemical components to our products, provision of information on the chemical substances contained may be requested to confirm that prohibited substances are not used. In addition, if any indirect material corresponds to

legally prohibited substances or prohibited substances under customers' requirements upon checking the information on chemical substances contained, appropriate alternatives may be requested.

3) Initiatives focused on stationery and other office supplies

Items such as writing implements, stationery, filing materials and notebooks are commonly used on an everyday basis within companies, and JDI Group is aware that expanding the use of environmentally-friendly office supplies is an important activity in terms of enhancing the environmental awareness of employees.

Accordingly, the JDI Group is striving to expand the procurement of environmentally-friendly office supplies. As such, items that conform to the Green Purchasing Act, certified Eco Mark products, and products listed in the GPN database are treated as recommended eco-products.

2-3. A shared understanding of and collaboration in initiatives aimed at conserving biodiversity

The JDI Group is engaging in endeavors aimed at conserving biodiversity. Accordingly, suppliers are requested to assent to the principle of the conservation of biodiversity and to consider implementing their own initiatives in this area.

3. Scope of this guideline

This guideline is applicable to all procurement items, including all procurement items that the products sold by JDI Group consist of, procurement items associated with production activities, and stationery and other office supplies. They are applicable irrespective of whether the items concerned are procured from within Japan or overseas. It also applies to procurement items related to OEM and ODM.

4. Evaluation Criteria

4-1. Evaluation criteria for suppliers

JDI Group conducts appraisals of the status of the establishment of a management system of chemical substances contained in products and of environmental conservation activities undertaken by its suppliers, using the JDI environment-audit-sheet, which is based on the Guidelines for the management of chemicals in products "Check Sheet" provided by the CMP Consortium. The assessment is performed according to the criteria listed below and gives priority to suppliers with higher scores. In this process, suppliers that have obtained ISO 9001 or ISO 14001 certification have an advantage. If a supplier is a trading company, final product manufacturers of the components in question are included in the assessment.

4-1-1. Evaluation items

- 1) Whether the supplier has obtained, or is planning to obtain, ISO 9001 or ISO 14001 certification by an independent accredited organization.
- 2) Whether the supplier has established a management system of chemical substances contained in products based on the CMP Consortium check sheet. Specifically, the following criteria are considered:
 - 5.1.3 Determining the scope of the Chemicals in Products management
 - 5.2.2 Policy
 - 5.2.3 Roles, responsibility and authority of an organization
 - 5.3.2 Objectives and planning to achieve them
 - 5.4.2 Competence
 - 5.4.5 Documented information
 - 5.5.2.1 Customer communication
 - 5.5.2.2. Defining the Chemicals in Products management criteria
 - 5.5.3 Chemicals in Products Management in design and development
 - 5.5.4.1 Chemicals in Products information collection and verification
 - 5.5.4.2 Verification of the Chemicals in Products management status at suppliers
 - 5.5.4.3 Chemicals in Products management at receiving
 - 5.5.4.4 Verification of the Chemicals in Products management status at outsourcing organization
 - 5.5.5.1 Management in manufacturing processes (Management of conversion process)
 - 5.5.5.2 Prevention of incorrect use and contamination (Management of incorrect use and contamination for parallel production and prohibited substances)
 - 5.5.5.3 Identification and traceability
 - 5.5.6 Change management
 - 5.5.7 Delivery of products
 - 5.5.8 Response to occurrence of nonconformity
 - 5.6 Performance evaluation and improvement

4-1-2. Decision criteria

Suppliers will be ranked according to their total appraisal score *1) based on the aforementioned evaluation items and priority will be given to procurement from suppliers assigned an S or A ranking.

Rank	Total appraisal score	Decision criteria
S	Attained ISO 9001 and ISO 14001 certification and Essential items are all conforming and an overall score of at least 85%	Pass (priority supplier)
A	Attained one of ISO 9001 and ISO 14001 certification, or neither of them and Essential items are all conforming and an overall score of at least 85%	
B	Essential items are all conforming and an overall score of at least 60% but below 85%	Need to take corrective action (may stop dealing with such suppliers if corrective action is not done)
C	Below 60% or any of the Essential items is non-conforming or if an audit sheet is not submitted	

*1) This refers to the percentage of items regarding which the response "Conforming" was selected, from amongst the all evaluation items in the JDI environment-audit-sheet.

- ◆ Each item in the JDI environment-audit-sheet provides four alternatives: "Conformance," "Partial conforming," "Non-conformance," and "Non applicable," from among which one should be chosen. "Partial conforming" is merged with "non conformance" in the calculation of the score. The number of "non applicable" items is subtracted from the denominator before calculation.
- ◆ Even if suppliers will be obtained a score of 85% or more, need to take corrective action if management of chemical substances in products is not sufficient.
- ◆ Essential items refer to particularly important items, in terms of chemical substances contained in products, among all evaluation items in the "JDI environment-audit-sheet." If any of the Essential items is "non-conforming," it shall be subject to corrective actions. Essential items are designated by JDI from the "JDI environment-audit-sheet."

4-1-3. Evaluation method

Evaluation is conducted by either means of a self-assessment or an on-site audit.

For a self-assessment, suppliers are requested to conduct a self-evaluation by using the "JDI environment-audit-sheet." In principle, all of the suppliers dealing with materials and other product-related procurements are subject to the self-assessment and are requested to conduct the self-evaluation and submit the audit sheet at our request for the self-assessment.

For an on-site audit, our auditors visit suppliers or manufacturers and conduct an audit according to the evaluation items listed in the "JDI environment-audit-sheet." The suppliers subject to the on-site audit are comprehensively selected based on the content specified below:

Please note that in some case, audits may be conducted by online (web connection).

- Suppliers dealing with important materials that constitute our products
- Suppliers delivering a high-risk products and parts which specified by JDI
- Suppliers whose self-evaluation results of the self-assessment have been confirmed to have insufficient content
- Other suppliers confirmed insufficient for the management of chemical substances in products

4-1-4. Evaluation update

Evaluation update is conducted by comprehensively considering the content specified below:

- Suppliers whose management system of chemical substances contained in products has been changed
- Suppliers delivering a high-risk products and parts which specified by JDI
- Past audit results
- Other suppliers that JDI determines evaluation update is necessary

4-2. Adoption criteria for materials and other product-related procurements

In accordance with our environmental policy and in order to ensure legal compliance, the reduction of the environmental burden and meeting the customers' requirements regarding prohibited substances, materials and other product-related procurements are acceptable only if the requirements 1) - 6) listed below are met.

For the purpose of compliance with the regulations and customers' requirements on prohibited substances, **JDI has established "Table 1: Standard of prohibited and controlled substances in product for JDI." *2)**

- 1) Submission of "Certification of non-use of environment-related substances"

Suppliers are requested to submit "Certification of non-use of environment-related substances (hereinafter called certification) to ensure that their products do not contain the substances prohibited according to Table 1 over the limits specified.

This certification should be accompanied by Annex "Component List" and "Substance Survey Form" that report the constitution of and controlled or prohibited substances in the procurements.
- 2) Submission of JAPIA Sheets

Suppliers are requested to submit the JAPIA Sheet containing information on the constitution and structure levels of assemblies and detail parts, and thus, of all the substances in the procurement as homogeneous materials.
- 3) Submission of analysis reports
 - Analysis reports on substances regulated by European RoHS (cadmium, lead, mercury, and hexavalent chromium):

Suppliers are requested to submit the analysis reports on all the homogeneous materials constituting the procurements.

- Analysis reports on substances regulated by European RoHS (PBBs and PBDEs)

Suppliers are requested to submit the analysis report on all the resin materials (other than glass, metals, and ceramics) constituting the components for each homogeneous material.

The analysis report on PBBs and PBDEs may be substituted for by a report on total bromine as element on the condition that the result for total bromine satisfies the regulation on the regulated values as PBBs or PBDEs compound.

- Analysis reports on substances regulated by European RoHS (Phthalate esters DEHP, BBP, DBP, and DIBP)

Suppliers are requested to submit the analysis report on all the resin materials (other than glass, metals, and ceramics) constituting the components for each homogeneous material.

- Analysis reports on halogens (total chlorine and total bromine)

Suppliers are requested to submit the analysis report on all the resin materials (other than glass, metals, and ceramics) constituting the components for each homogeneous material.

* Analysis of cadmium, lead, mercury, and hexavalent chromium (plus PBBs, PBDEs, chlorine and bromine, Phthalate esters(DEHP, BBP, DBP, and DIBP), if specifically required by the JDI) is needed for packaging materials.

* The analysis report should be issued by an independent laboratory within two years after the measurement, and be written in English.

4) Submission of SDSs (MSDSs)

Suppliers are requested to submit SDSs or MSDSs for the substances in the procurements as evidence for the JAPIA Sheet information on the constitution and constituents. If they are unavailable, they may be replaced by a composition table issued by the manufacturer of the parts or materials.

(SDS = Safety Data Sheet, MSDS = Material Safety Data Sheet)

5) Submission of "Part Component Diagram"

Following procurements are required the Part Component Diagram.

- Electronic parts (ICs, resistors, capacitors, connectors, etc.), FPCs, LEDs (including LED-FPCs and thermistors), touch panels
- Possibly other products in which the correspondence of the constitution and raw materials is unclear

See the "Diagram registration" sheet attached to the Certification of non-use of environment-related substances for details of preparation and registration

of part component diagrams.

6) Others

Additional documents (e.g. chemSHERPA, or other survey forms or certificates) may be required due to new legislation or the requirements of customers.

Also, suppliers may be required to submit the IMDS (International Material Data System). If the submission of the IMDS is required, submissions of the documents 1) – 5) are basically exempted unless required by our customers.

See Section 6 "Description of the required documents" for the details of the documents 1) - 5) above-mentioned.

*2)

- A specification or drawing issued by JDI, overrides the “Standard of prohibited and controlled substances in product” if any discrepancy exists between them.
- Any procurement containing any prohibited substance at a level higher than the tolerance limit should generally be replaced by an appropriate alternative. However, a concentration over the limit in the product may individually be accepted for some reason or other, as long as the concentration does not violate the laws or the requirements of the customer.
- The analysis reports, SDSs (MSDSs) or part component diagrams of materials provided by JDI are not required for products using such materials to mount, assemble and manufacture.
- For packaging materials for delivery of procurement items, submission of an analysis report, SDS (MSDS), etc. is not required in principle, but please submit them if we request them individually. Note that the packaging materials for delivery of procurement items refer to all packaging materials used by our suppliers to deliver procurement items to JDI.

5. Other requirements

The following requests may occasionally be made regarding individual procurements.

- Labeling of compliance or non-compliance with RoHS on the procurement
- An updated version of a document, e.g. the most recently revised version of the certification, an analysis report with a date of issue within two years
- Thirty grams each of the materials constituting the product as samples for analysis
- An analysis report for antimony, polyvinyl chloride (PVC), arsenic, beryllium, PFOS, PFOA, etc.

6. Description of the required documents

6-1. JDI environment-audit-sheet

JDI has designed the sheet based on the Guidelines for the management of chemicals in products "Check Sheet" published by CMP Consortium.

Suppliers are requested, in response to a request by JDI's survey system, to fill out the form, at our request via e-mail, based on their standards, rules and evidence (records). An example of a completed sheet is provided separately.

<Notes>

- The submission of additional evidence may be requested if the information provided is not clear enough.
- An on-site audit may be conducted if the information provided indicates particular problems and suppliers deliver high-risk products/parts which are specified by JDI.

6-2. Certification of non-use of environment-related substances

The certification is intended for the assurance on the supplier's part of conformance to the "Standard of prohibited and controlled substances in product for JDI" in JDI Green Procurement Guideline.

The form consists of the six sheets listed below and sheets giving examples.

- Certification top page (required)
- Annex [Component List] (required)
- Annex [Substance Survey Form] (required)
- Annex [Exemption List] (if needed)
- Part Component Diagram
- Exemptions in the European RoHS Directive

Please fill out the "Certification top page," "Annex [Component List]" and "[Substance Survey Form]," at JDI request, to register in jDesc (substance control system in JDI) through the internet.

For details of how to fill out a certification, please refer to the file of "JDI Green Procurement for Suppliers" in JDI's Green Procurement website.

6-3. JAPIA sheet

"JAPIA sheet" is an abbreviation for the JAPIA Standard Materials Datasheet, which is a standard survey form related to chemical substances that has been formulated by the Japan Auto Parts Industries Association, "JAPIA." It consists of two Excel spreadsheets that can be input offline in a standard PC environment - an input form and an external list - and that have macros that provide input

support and input checking functions.

Please submit the JAPIA sheet, at our request, by registering in jDesc (substance control system in JDI) through the internet.

The procedures for the preparation of a JAPIA sheet are described in the JAMA Sheet User's Manual found in the Green Procurement website in JDI.

6-4. Analysis report

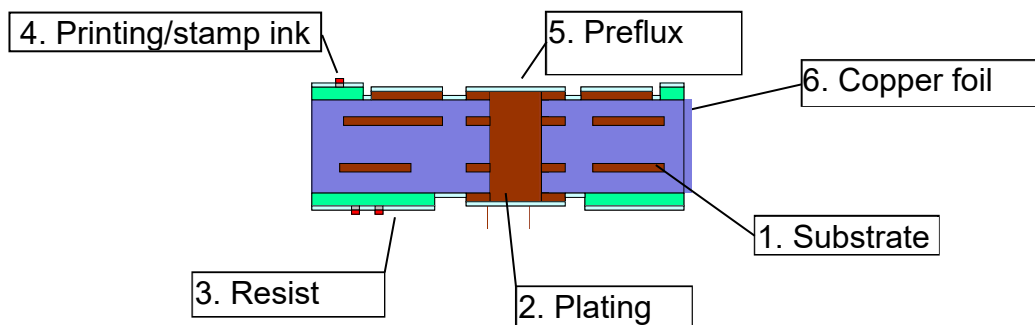
Please submit the analysis report, at JDI request, by registering it in jDesc through the internet.

6-4-1. Materials analyzed

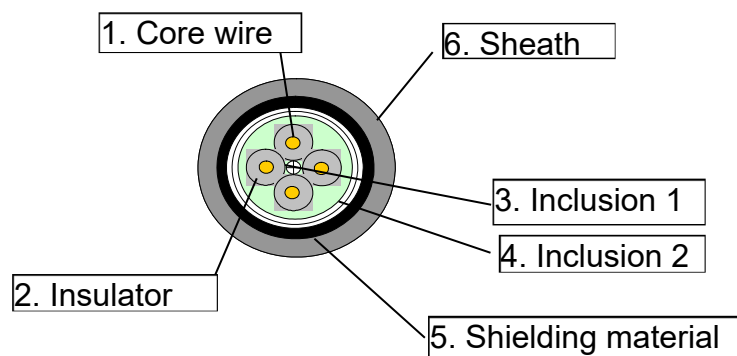
Each subcomponent of the product should be analyzed at the level of a homogeneous material. Several examples are shown below.

Note that, If requested by our customers, procurement items in a liquid state (examples shown below) should be analyzed in the state after product molding (after drying). (e.g. flux, adhesive, coating agent, paste agent, ink, paint, resist, etc.)

Example 1: Printed Circuit Board



Example 2: Wire



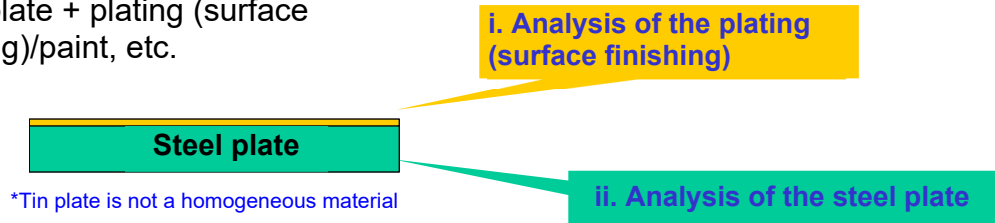
Example 3: Plating

Please make sure to analyze the plating in its form on the product, rather than the plating solution itself.

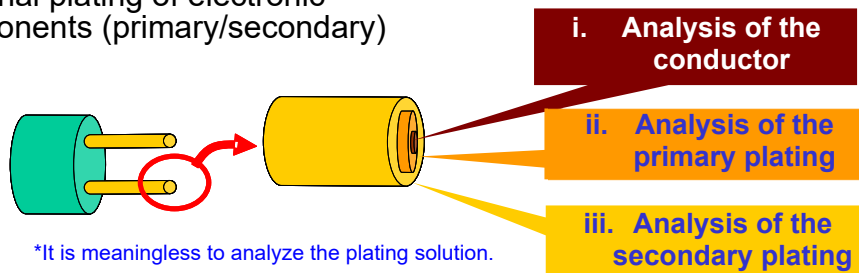
Please ensure that you analyze the plating separately from the base material!

*** Electroless nickel plating is contained meaningfully lead. Please state explicitly whether it is electroplating or electroless plating.**

1. Steel plate + plating (surface finishing)/paint, etc.



2. Terminal plating of electronic components (primary/secondary)



6-4-2. Substances to be analyzed

Perform high-precision quantitative analysis on the six substances to which the European RoHS directive applies chlorine and bromine according to the table below.

Table: Substances to be analyzed

Substances to be analyzed	Procured items for products		Packaging and packing materials
	Resin materials (including ink, paint and synthetic rubber)	Other than Resin materials (metal, glass, ceramics)	
Cadmium (Cd)	Required	Required	Required
Lead (Pb)	Required	Required	Required
Mercury (Hg)	Required	Required	Required
Hexavalent chromium (Cr(VI)) Note 1)	Required	Required	Required
PBBs Note 2)	Required	If needed	If needed
PBDEs Note 2)	Required	If needed	If needed
Chlorine (Cl)	Required	If needed	If needed
Bromine (Br)	Required	If needed	If needed
Phthalate esters (DEHP, BBP, DBP, DIBP)	Required	If needed	If needed

Note 1) Regarding Cr (VI), if the total Cr detected is not higher than the detection limit, it may be used alternatively.

Note 2) Analysis of PBBs and PBDEs is not necessary if the analysis results for bromine are not higher than the detection limit.

Regarding PBBs and PBDEs, all of their isomeric forms are to be analyzed. (10 kinds from PBBs and 10 kinds from PBDEs)

6-4-3. Analytical methods

Please refer to the table below for the analytical methods and detection limits recommended by JDI for high-precision quantitative analysis. Fluorescent X-ray analysis should not be used because of the low precision.

Table: Recommended detection limits and analytical methods for substances regulated by the European RoHS directive and halogens (chlorine and bromine)

Substance to be analyzed	Recommended detection limit	Recommended analysis method	
		Pre-conditioning	Analysis
Cadmium (Cd)	2 ppm or less	IEC 62321	ICP emission spectrometry
Lead (Pb)	10 ppm or less		
Mercury (Hg)	2 ppm or less		
Hexavalent chromium(Cr (VI))	2 ppm or less		ICP emission spectrometry, UV – Vis
PBBs	5 ppm or less		
PBDEs	5 ppm or less		
Chlorine (Cl)	50 ppm or less	EN 14582	Ion chromatography analysis
Bromine (Br)	50 ppm or less		
Phthalate esters (DEHP, BBP, DBP, DIBP)	50 ppm or less	IEC 62321	Gas chromatograph-mass spectrometry

(Supplement)

- The spot test for Cr (VI) stipulated in IEC 62321 cannot be accepted as a precise analysis because the spot test is not a quantitative test.
- The Cd and Pb sediment created in their pre-conditioning (unsolved substances) are required to be resolved completely in some way, such as by the alkali melting method, and the melting methods represented in the following are not applicable: EN 71-3:1994, ASTM F963-96a, ASTM F963-03, ASTM D 5517 and ISO 8124-3:1997. In addition, EN1122: 2001 is not applicable for the pre-conditioning method for lead.

6-4-4. Information required in the analysis report

An analysis report should at least contain information on the following. Items missing in the report, if any, should be supplied later in a revised version of the report.

1. Pre-conditioning method: The name of the official method used, or description of the non-official method used.
2. Measurement method: The name of the official method used, or measurement method.
3. Operator's and supervisor's names, the name of the laboratory
4. Date of the analysis
5. Analytical results; please provide the detection limit if the result is N.D. (not detectable).
6. Flowchart of the analytical procedures Note 3)

Note 3) For the preconditioning of resinous samples (inks, dyes, synthetic rubbers) for the determination of cadmium and lead, mention "complete dissolution" explicitly in the report or flowchart.

6-4-5. Laboratory

The analysis report should be prepared by a third-party laboratory with ISO 17025 certification. JDI's customers may specify a particular laboratory for analysis of the products.

6-4-6. Validity of the analysis report

The analysis report should be submitted within two years (or one year when requested by a customer) of the date of the analysis.

6-4-7. Language written in an analysis report

Analysis report should be written in English. A bi-/multilingual version containing English text is acceptable. For example, a report in Japanese or Chinese only is not accepted.

6-4-8. Entry in the JAPIA Sheet

Please enter the highest content of each substance shown in the analysis report into the appropriate fields of the JAPIA sheet in percentages. Please also adjust the compound values so that the total is 100%.

6-4-9. Others

Suppliers may be requested to perform additional analyses for substances not specified above (e.g. arsenic, antimony, polyvinyl chloride (PVC), beryllium, PFOS, or PFOA) according to request by JDI’s customers.

Note that submission of analysis reports for the substances listed in the table below will be required for our specific customers.

Accordingly, submission of analysis reports will be requested individually to suppliers who deliver the components to our specific customers. Please kindly respond to the request as necessary.

Table: Analysis report requirements from our specific customers

Substance to be analyzed	Materials subject to analysis	Analysis method
Cadmium (Cd)	All materials	Methods described or referenced in IEC 62321 ISO17075-2 for Hexavalent Chromium (Cr6+) in leather EN 14372 followed by GC-MS for Phthalates
Lead (Pb)		
Mercury (Hg)		
Hexavalent chromium (Cr (VI))		
PBBs	All materials except metals, glasses, or ceramics	
PBDEs		
Phthalate esters (DEHP, BBP, DBP, DIBP)		
Chlorine (Cl)	All materials except metals or ceramics	EN 14582 US EPA SW-846 5050/9056 ASTM D 7359-14a, DIN 53474:2017-12, or IEC62321-3-2, followed by IC testing
Bromine (Br)		
Fluorine (F)		
Arsenic (As)	Glass	Total acid digestion followed by ICP-MS, ICP-OES, ICP-AES
Beryllium (Be)	Metal alloys including copper and beryllia ceramic *For metals, alloys, and solders, a certified mill test report (also known as “mill sheet”) that contains detailed composition information can be accepted in lieu of the analysis report.	US EPA 3050B US EPA 3052 ICP-AES in addition to ICP-MS ICP-OES in addition to ICP-MS
PFOS, PFOA	Inks, paints, leather, textiles, and coatings	DIN CEN/TS 15968 LC-MS-MS methods that can achieve an MDL of 25 ppb

<Required Conditions> All the following conditions shall be met.

- (1) Conduct the analysis for each homogeneous material. A homogeneous material is a single material in which the composition is uniform throughout the material, or a material that is composed of a combination of materials that cannot be further separated by mechanical means.
- (2) Conduct the analysis using a sample in the finished state (the condition used in the market.)
 - **Inks, paints, and adhesives** shall be analyzed in a **cured state after drying**, not in a liquid state before application.
 - **Solder flux and solder paste** shall be analyzed in the **state after heat treatment after its application**.
 - Solder thread and solder paste** shall be analyzed for **alloy and flux separately after they are separated**. If there is a cleaning process that removes residual flux, the analysis may be conducted without separating them.
 - For **coatings including plating**, analysis shall be conducted **after the completion of coating (plating)**. For coating materials that cannot be mechanically peeled off from the base material, **analysis may be conducted for the base material after the completion of coating (plating)**. Analysis in the liquid state (plating liquid) before its application is not acceptable.
- (3) The analysis report shall be issued by a third-party laboratory with ISO 17025 accreditation.
- (4) The date of analysis shall be **within two years**. *Since the date of analysis must be no older than two years from the date of submission of the report to a specific customer, JDI may request suppliers to provide the newer analysis report to secure sufficient time for its submission.
- (5) In addition to satisfying item 6-4-4, the contents of analysis reports shall meet the following.
 - Must be in English (containing any other languages is acceptable).
 - The name (description) of the sample in the report shall be a name that is identifiable as the target material.
 - Include a photo of each sample analyzed.
 - **Must be an original pdf file issued by the laboratory**. A printed or edited PDF file will not be accepted.

6-5. SDSs (MSDSs) (Material sheet)

Suppliers are requested to submit SDSs (MSDSs) in English for each subcomponent or homogeneous material in the product as evidence for the constituent information in the JAPIA Sheet.

If SDSs (MSDSs) are not available, submit instead a constituent list provided by the manufacturer of the subcomponent or material. A supplier-made constituent list cannot replace the SDSs (MSDSs) because it is not evidence about the constituent information from the source.

Please submit the SDSs (MSDSs), at our request, by registering it in jDesc through the internet.

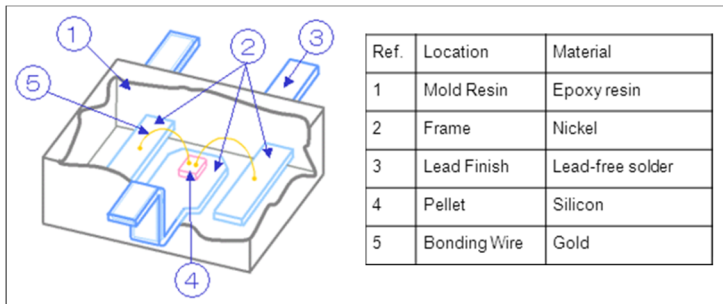
6-6. Part Component Diagram

Suppliers are requested to submit construction drawings for the components listed below:

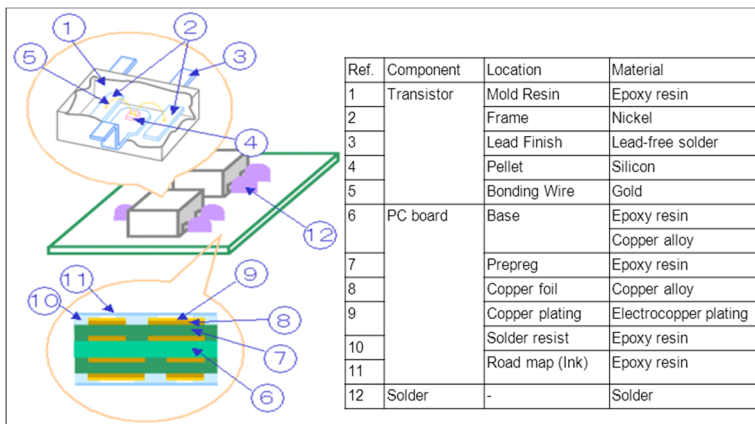
- Electronic components (e.g. ICs, resistors, capacitors, connectors, etc.), FPCs, LEDs (including LED-FPCs and thermistors), touch panels

The format of the drawings is not restricted. The drawing should show the individual subcomponents and materials clearly, as illustrated in the following examples. Please submit the drawing, at our request, by registering it in jDesc through the internet.

Example: Transistor



Example: Printed circuit board



6-7. IMDS

This system is the database on the web for which automobile businesses collect MDSs(*) to cope with environmental laws and regulations. The system is also broadly used through supply chains aiming to submit their MDS for the final goal to automobile manufacturers as communication means of MDS.

The procedures for the preparation of a MDS are described in the JDI IMDS Datasheet Creation Manual found in the Green Procurement website in JDI.

* MDS(Material Data Sheet): Data regarding materials that constitute products and parts, and compounds that constitute the materials.

7. Procedures from the request to the submission

1) JDI environment-audit-sheet

Since submission is requested by JDI's survey system, please register it on the web within the specified term.

- 2) Certification of non-use of environment-related substances
- 3) JAPIA Sheet
- 4) Analysis report
- 5) SDSs (MSDSs) (Material sheet)
- 6) Part Component Diagram

Submission of the above 2) – 6) documents is requested for survey method "WEB Survey" through the jDesc system. On request from the system, please log into the system, confirm the requested items and the due date, and register the document in the jDesc system through the Internet within the specified term.

7) IMDS

When you receive a survey request notification as "IMDS survey" from the jDesc system, please log in to the system and check the details and deadline for the parts to be surveyed. After registering the substance (ingredients) data of the part in IMDS system, please export "MDS report" (PDF file) from IMDS and register it in jDesc.

After our check of the submitted documents, you will receive a notification of the registration if there are no problems found. Otherwise the documents will be returned; please make the necessary corrections and register the documents again.

Our request may be made via a party designated by JDI. Please follow the e-mail instructions in such a case.

The procedures from the submission request to registration are described in the manual available from the Green Procurement website.

<Notes on the jDesc system>

- The jDesc system requires a login ID and a password. If you have not yet obtained your password, request one via e-mail using "jDesc Application Sheet" in the Green Procurement website.
- Please register the "Certification of non-use of environment-related substances" as an Excel or PDF file. In the latter case, please integrate the top page, Component List and Substance Survey Form in a PDF or ZIP file.
- The format text in the Certification of Non-Use of Substances under Environmental Control should not be modified without prior consent of JDI. If any additional comment from supplier is necessary, it should be entered in the comment boxes or separate documents should be attached. Please contact our Product Environment Team for any question on the submission of comments.
- Trying to register a JAPIA Sheet in an earlier version or with missing data will generate an error message. Please check the file status according to the JAMA

Sheet User's Manual available in the Green Procurement website.

- Please submit an analysis report and SDSs (MSDSs) (Material sheet) for each component as described in the JAPIA Sheet registered in jDesc.
- Please select "Part Component Diagram" as the document classification when registering a component construction drawing.
- Please always permit the printing of individual files.

8. Document retention period

Documents related to the information on contained chemical substances should be stored at least ten (10) years from the date the procurement item was last manufactured or supplied to JDI. In this regard, the documents related to the information on contained chemical substances refer to the information on constituents that was prepared by suppliers based on analysis, etc. and the information documents on contained chemical substances that were obtained from upstream suppliers, manufacturers, etc.

III. Handling of These Guidelines

The guidelines for suppliers will be handled as follows:

Each time these guidelines are revised, the latest version will be published on the website of Japan Display Inc. Suppliers are requested to ensure that they always check and download the latest version of the guidelines.

IV. Handling of the Submitted Reports

The personal information of suppliers that is provided to the JDI Group will be used solely for the purpose of confirming details pertaining to green procurement surveys. Moreover, such information may be used by contractors appointed by the JDI Group, if necessary. In addition, reports and other documentation submitted (such as data from survey tools, analysis reports, and material sheet or SDSs (MSDSs) may be provided to JDI's customers as evidence.

V. Requests to Suppliers

- The suppliers of materials and other product-related procurement items, as well as procurement items associated with production activities, are requested to promote the management of systematic environmental conservation activities, and to achieve ongoing improvements in this area. Accordingly, suppliers are requested to respond to surveys inquiring about matters related to their improvement activities and procurement items.

- In the case where a new prohibited or controlled substance has been added in

response to the revision of laws and regulations, if such substance is contained in any procurement item and if such inclusion has not been reported in the documents already submitted to JDI, please promptly notify JDI thereof.

- When making an agreement with JDI for delivery specification concerning “procurement items such as materials related to products,” please stipulate the statement of “the JDI Green Procurement Guideline shall be strictly observed” in the specification in principle.

VI. Others

<JDI's Green Procurement website>

In Japanese: <https://www.j-display.com/sustainability/society/scm/supply.html>

In English: <https://www.j-display.com/en/sustainability/society/scm/supply.html>

The website provides documents related to JDI's Green Procurement, including the Green Procurement Guideline, Standard of prohibited and controlled substances in product for JDI, Certification of non-use of environment-related substances, the JAMA Sheet User's Manual, and the jDesc operation manual.

<Japan Auto Parts Industries Association, “JAPIA”>

In Japanese: <http://www.japia.or.jp/work/kankyou/japiasheet/>

In English: <http://www.japia.or.jp/en/activities/environment/japiasheet/>

The site provides, among other items, the JAPIA Sheet manual.

<CMP Consortium>

In Japanese: <https://cmp-consortium.com/>

In English: <https://cmp-consortium.com/english>

<International Material Data System, “IMDS”>

<https://www.mdssystem.com/>

<Note on the language of this document>

For any discrepancy between this document and its translation into any other language, Japanese version shall always take precedence.

<Contact for the present subject>

Japan Display Inc.

Product Environment Team

E-mail: green.proc.zz@j-display.com

Procurement Division

E-mail: procure.manage.zz@j-display.com

Revision History

Version	Description	Date of revision/ issue
1.0	Green Procurement Guideline, first version	April 1, 2012
2.0	<p>Individual explanatory materials prepared by JDI Group companies have been discontinued and replaced by this document containing unified descriptions on the following items:</p> <ul style="list-style-type: none"> ▪ Standard of prohibited and controlled substances in product for JDI ▪ Environment-related documents, including forms, required for the procurement of materials for products ▪ Procedures for the preparation of documents ▪ Procedures from the requirement to the submission of the documents (via jDesc) 	April 1, 2013
3.0	<p><Modifications concerning supplier evaluation></p> <p>Items 2-1, 4-1 and 4-1-1: Requirements for the establishment of Management System of Chemical Substances in Products clarified</p> <p>Items 4-1, 4-1-1, and 4-1-2: The authority for the JDI environment-audit-sheet changed from the JEITA Audit Sheet to JAMP Audit Sheet; related texts and criteria modified accordingly</p> <p>Item 4-1: Addition of “Final product manufacturers of products included in the scope of the assessment if the supplier is a trading company”</p> <p>Item 4-1-4: Evaluation update added</p> <p>Items 6-1, 7: Submission of the JDI environment-audit-sheet changed from e-mail to registration in the survey system</p>	April 1, 2014

	<p><Addition concerning materials provided by JDI></p> <p>Item 4-2: Exemption added of submitting analysis reports, SDSs (MSDSs), and part component diagrams for materials provided by JDI.</p> <p>Item 6-3-1: JAMA Sheet entry procedure added for materials provided by JDI.</p> <p><Modification concerning the Certification of non-use of environment-related substances></p> <p>Item 6-2-1: Entry procedure partly modified according to the revised format of top page of certification. Definition of "recycled resins" added.</p> <p>Item 6-2-2: Entry procedure modified according to the revised Annex [Component List] (Addition of entry method of materials provided by JDI).</p> <p>Item 6-2-3: Entry procedure modified for items concerning undisclosed substances according to the revised Annex [Substance Survey Form] (Revision of entry method regarding questions about undisclosed substances).</p> <p>Item 7: Warning against modification of the text of the Certification of non-use of environment-related substances format added to "Notes on the jDesc system."</p> <p><Modifications concerning analysis reports></p> <p>Item 4-2: Possibly misleading expressions about submission of analytical reports corrected.</p> <p>Items 4-2 and 6-4-6: Period of validity of analysis reports changed</p>	
--	--	--

	<p>from one year to two years after measurement.</p> <p><Modification concerning MSDSs> Entire document: "MSDS" changed to "SDSs (MSDSs)"</p> <p><Modifications concerning part component diagrams> Items 4-2 and 6-6: Possibility added indicating submission request for separate part component diagrams for components with unclear constitution information.</p> <p><Other additions, modifications, and corrections> Entire document: - Typographic errors corrected - Updates in accordance with actual situations Section IV: URL of JAMP added. E-mail addresses added to the <Contact for the present subject>.</p>	
4.0	<p><Modification concerning the Evaluation criteria for suppliers> Item 4-1-2 - Added a description of the qualitative judgment about evaluation results Items 4-1-3 and 6-1 - Added the description of the case of an on-site audit</p> <p><Delete items> Deleted the following items because of they were overlapped with the file of "JDI Green Procurement for Suppliers":</p>	April 1, 2015

	<p>Items 6-2-1, 6-2-2, and 6-2-3</p> <p><Other additions, modifications, and corrections></p> <p>Entire document:</p> <ul style="list-style-type: none"> - Typographic errors corrected - Updates in accordance with actual situations 	
5.0	<p><Modification concerning the Evaluation criteria for suppliers></p> <p>Item 4-1-2</p> <ul style="list-style-type: none"> - The item name changed from “Selection criteria” to “Decision criteria.” - The decision criteria for ranks B and C changed to “Need to do corrective action.” - Added the description that if an audit sheet is not submitted, this corresponds to Rank C. <p>Item 4-1-3</p> <ul style="list-style-type: none"> - The item name changed from “Auditing” to “Evaluation method.” - Changed the description so that it explains about the methods of conducting a self-assessment and an on-site audit. - Changed and added the description in the case of conducting an on-site audit. <p>Item 4-1-4</p> <ul style="list-style-type: none"> - The frequency of evaluation update changed to “in principle, biennially.” <p><Modification concerning the Requests to Suppliers></p> <p>V. Requests to Suppliers</p> <ul style="list-style-type: none"> - Added a request concerning the storage period of the information on contained chemical substances. - Added a request concerning the notification to JDI of the information on contained chemical substances at the time of the 	April 1, 2016

	<p>revision of laws and regulations.</p> <p><Other additions, modifications, and corrections></p> <p>Entire document:</p> <ul style="list-style-type: none"> - Typographic errors corrected - Updates in accordance with actual situations 	
6.0	<p><Modifications concerning analytical reports></p> <p>Items 4-2, 6-4-2, and 6-4-3</p> <ul style="list-style-type: none"> - Added the description about requirements for analytical reports on phthalic esters. <p>Items 5 and 6-4-9</p> <ul style="list-style-type: none"> - Added beryllium, PFOS, and PFOA as the substances that may be the material to be analyzed. <p><Deletion of an item></p> <ul style="list-style-type: none"> - Deleted the following item because it was overlapped with the contents in the JAMA Sheet User's Manual. <p>Item 6-3-1 Content of entries for constituent substances in the JAMA sheet</p> <p><Other additions, modifications, and corrections></p> <ul style="list-style-type: none"> - Corrected typographic errors, etc. 	April 1, 2017
7.0	<p><Modifications concerning analytical reports></p> <p>Items 4-2, 6-4-2, and 6-4-3</p> <ul style="list-style-type: none"> - Changed the description about requirements for analytical reports on phthalic esters. <p><Other additions, modifications, and corrections></p> <ul style="list-style-type: none"> - Corrected typographic errors, etc. 	April 1, 2018

8.0	<p><Additions, modifications, and corrections></p> <p>Item 2 Initiatives Undertaken by the JDI Group</p> <p>Item 2) Initiatives focused on procurement items associated with production activities</p> <ul style="list-style-type: none"> - Added the description about the request content regarding indirect materials with a risk of transferring their chemical components to our products by direct contact, etc. <p>Item 3 Scope of this guideline</p> <ul style="list-style-type: none"> - Added procurement items related to the description that the scope also applies to OEM and ODM. <p>Item 4-1 Evaluation criteria for suppliers</p> <ul style="list-style-type: none"> - Correcting “List of Action Items & Check Sheet” in the text to “Guidelines for the management of chemicals in products ‘Check Sheet’.” <p>Item 4-1-1 Evaluation items</p> <ul style="list-style-type: none"> - Renewed the evaluation items (revised by the revision of “Guidelines for the management of chemicals in products ‘Check Sheet’” provided by JAMP). <p>Item 4-1-2 Decision criteria</p> <ul style="list-style-type: none"> - Revised the decision criteria (revised by the revision of “Guidelines for the management of chemicals in products ‘Check Sheet’” provided by JAMP). <p>Item 4-2 Adoption criteria for materials and other product-related procurements</p> <ul style="list-style-type: none"> - Added the description that there is a case where submission of documents regarding packaging materials used for delivery of procurement items may be requested. 	April 1, 2019
-----	--	---------------

	<p>Item 6-4-1 Materials analyzed</p> <ul style="list-style-type: none"> - Added the description that procurement items in a liquid state should be analyzed in the state after product molding (after drying). <p>Item V Requests to Suppliers</p> <ul style="list-style-type: none"> - Added the description about a request regarding the agreement on the delivery specification. <ul style="list-style-type: none"> - Corrected typographic errors, etc. 	
9.0	<p><Modifications concerning the Evaluation criteria for suppliers></p> <p>Item 4-1-4 Evaluation update</p> <ul style="list-style-type: none"> - Deleted the frequency of “biennially in principle” and changed to a method where the implementation of evaluation update is determined by considering the specified content. <ul style="list-style-type: none"> - Corrected typographic errors, etc. 	April 1, 2020
10.0	<p><Modifications concerning analysis reports></p> <p>Item 6-4-9. Others</p> <ul style="list-style-type: none"> - Added the description about the requirements of analysis reports from our specific customers <p><Other additions, modifications, and corrections></p> <ul style="list-style-type: none"> - Changed from “JAMA Sheet” to “JAPIA Sheet” <ul style="list-style-type: none"> - Corrected typographic errors, etc. 	April 1, 2021
11.0	<p><Modifications concerning evaluation criteria for suppliers></p> <p>Item 4-1-2. Decision criteria</p> <ul style="list-style-type: none"> - Deleted the description about the handling of the old version of the "JDI environment- 	April 1, 2022

	<p>audit-sheet."</p> <p>Item 4-1-3. Evaluation method</p> <ul style="list-style-type: none"> - Added the description about online audits <p><Modifications concerning environment-related documents required to be submitted></p> <p>Item 4-2. Adoption criteria for materials and other product-related procurements</p> <ul style="list-style-type: none"> - Added to "6) Others" regarding request for the submission of IMDS <p><Modifications concerning analytical reports></p> <p>Item 6-4-9. Others</p> <ul style="list-style-type: none"> - Changed materials subject to analysis for beryllium <p><Other additions, modifications, and corrections></p> <ul style="list-style-type: none"> - Added reference URL for IMDS 	
12.0	<p><Modifications concerning analytical reports></p> <ul style="list-style-type: none"> - Fluorine added to analysis target substances, and updated analysis method for "Item 6-4-9. Others". <p><Modifications concerning environment-related documents required to be submitted></p> <ul style="list-style-type: none"> - New added "Item 6-7. IMDS" - Added IMDS submission method to "item 7. Procedures from the request to the submission" <p><Other additions, modifications, and corrections></p> <ul style="list-style-type: none"> - Corrected typographic errors, etc. 	April 1, 2024

12.1	<p><Other additions, modifications></p> <ul style="list-style-type: none"> - Added "8. Document retention period" and deleted a sentence about the storage period for documents related to information on contained chemical substances from [V. Requests to Suppliers] 	April 1, 2025
12.2	<p><Other additions, modifications, and corrections></p> <ul style="list-style-type: none"> - Changed "Joint Article Management Promotion-consortium (JAMP)" to "CMP Consortium" 	April 1, 2026